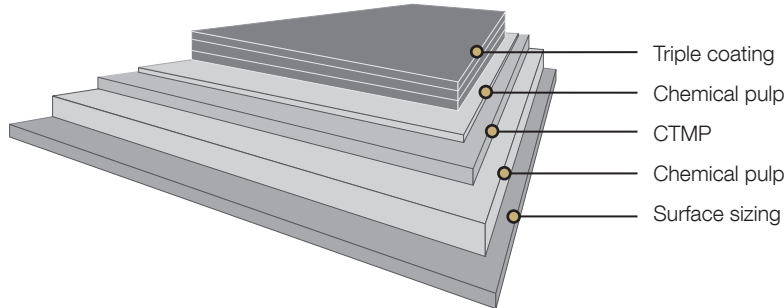


# Performa Cream

Fully coated CTMP board with uncoated reverse



Issued: 02.2014  
Cancels: 07.2012

## Specifications for Performa Cream:

Property / Unit	Tolerance											Standards
Grammage, g/m <sup>2</sup>	+3%/-5%	200	220	230	245	260	290	315	340	360	ISO 536	
Thickness, µm	±5%	310	340	360	405	440	500	560	610	650	ISO 534	
Bending stiffness DIN 5° MD, mNm	-15%	15.3	19.6	22.6	29.9	36.4	51.2	64.0	78.7	91.8	ISO 2493	
Bending stiffness DIN 5° CD, mNm	-15%	5.8	7.5	8.8	12.1	15.3	21.9	27.5	32.1	40.5		
Bending moment Taber 15° MD, mNm	-15%	8.3	10.8	12.8	15.5	18.6	24.6	32.4	39.8	44.9		
Bending moment Taber 15° CD, mNm	-15%	3.5	4.5	5.4	6.8	8.2	11.1	14.5	18.1	20.3		
Bending resistance L&W 15° MD, mN	-15%	172	224	266	320	385	510	670	825	930		
Bending resistance L&W 15° CD, mN	-15%	72	94	111	140	170	230	300	375	420		
Moisture, %	±1, ±1.5 *	7.7	7.8	7.9	7.9	8.0	8.4	8.7	8.9	9.1	ISO 287	
ISO Brightness C/2°, %	min. 87	90	90	90	90	90	90	90	90	90	ISO 2470	
CIE Whiteness D65/10°, Top		120	120	120	120	120	120	120	120	120	ISO 11475	
Surface Smoothness, PPS 10, µm	max. 1.7	1.0	1.0	1.0	1.0	1.0	1.0	1.0	1.0	1.0	ISO 8791-4	
Gloss 75°, %		45	45	45	45	45	45	45	45	45	ISO 8254-1	
Scott Bond, J/m <sup>2</sup>	min. 100	145	145	145	145	145	145	145	145	145	TAPPI 569	
Edge wicking**, g/mm.m	max. 1.0	0.5	0.5	0.5	0.5	0.5	0.5	0.5	0.5	0.5		
Cobb 60, g/m <sup>2</sup> , Top	max. 60	30	30	30	30	30	30	30	30	30	ISO 535	
Cobb 60, g/m <sup>2</sup> , Reverse		50	50	50	50	50	50	50	50	50		
Robinson chocolate test		max 0.5 for one year storage in reels/pallets										PrEN1230-2

\*) For 315 – 360 g/m<sup>2</sup>

\*\*) Hardsized available in all grammages

All properties according to Fors Mill measurements.

Test climate 23°C / 50 % RH (according to ISO 187).  
Tolerances based upon 95 % confidence limits, apply to reel/pallet average.  
In order to verify, reel/pallet average shall be based on 5 single measurements randomly sampled within the reel/pallet. These averages will be for at least 19 of 20 reels/pallets within the specification limits.

Fors Mill has certified FSC® and PEFC™ Chain-of-Custody (CoC) systems as well as certified hygiene management systems.

FSC® logo licence number FSC-C105192  
PEFC™ logo licence number PEFC/02-31-71